

# ATLAS

## Material Handler 270MH

FAST. RELIABLE. VERSATILE.

# 270MH



26.1 - 27 t



129 kW (175 hp)



10.3 - 16.4 m



## Technical specifications

### ENGINE

Power according to ISO 9249.....129 kW (175 hp)	Cylinder capacity.....6700 cm <sup>3</sup>	Battery.....2x 12V/2x 100Ah
RPM.....1800/min	Number of cylinders.....6	Alternator.....24 V/70Ah
Make.....CUMMINS QSB 6.7	Cooling system.....Water-cooled	Starter.....24V/3.2kW
Design.....Turbocharger / intercooler	Air filter.....Dry air filter	

### HYDRAULIC SYSTEM

<ul style="list-style-type: none"> <li>2 Load limit controlled high-performance piston pumps</li> <li>Dual-circuit hydraulic system</li> <li>7 standard consumer loads in one control block</li> <li>Sensitive, proportional, independent control</li> <li>Primary and secondary protection against overload</li> <li>Suction valves for all work functions</li> </ul>	<ul style="list-style-type: none"> <li>Load-retaining and fine lowering valve in lifting circuit</li> <li>Pump flow control</li> <li>Grab and grab-rotating function</li> <li>Fuel-efficient flow-on-demand control</li> <li>Pipe-break protection valves for lifting cylinders</li> <li>Up to 2 additional control circuits possible</li> </ul>	<ul style="list-style-type: none"> <li>Max. oil flow.....380 l/min</li> <li>Max. operating pressure.....340 bar</li> <li>Operating modes: 3 pre-programmed modes (Fine, Eco, Power)</li> </ul>
--	--	--

### SWING ASSEMBLY

<ul style="list-style-type: none"> <li>Swing motor</li> <li>Swing gear</li> <li>Swing brake:</li> </ul>	<ul style="list-style-type: none"> <li>Axial piston motor with priority valve</li> <li>Planetary transmission</li> <li>Automatic multidisc brake</li> </ul>	<ul style="list-style-type: none"> <li>Max. swing speed .....11/min</li> <li>Swing torque .....63.2 kNm</li> </ul>
---	---	--

### TRACTION DRIVE AND BRAKES

<ul style="list-style-type: none"> <li>Variable displacement motor</li> <li>Power-shift transmission</li> <li>Double-acting brake valve</li> <li>Driving direction pre-selection via switch in joystick</li> </ul>	<ul style="list-style-type: none"> <li>Maximum speed .....20 km/h</li> <li>Terrain speed .....5 km/h</li> <li>Crawling speed .....1 km/h</li> <li>Tractive force .....132.8 kN</li> <li>Max. gradeability .....70.1%</li> </ul>	<ul style="list-style-type: none"> <li>Dual circuit brake system .....Multi-disc</li> <li>Parking brake .....Multi-disc</li> </ul>
--	---	--

### UNDERCARRIAGE

<ul style="list-style-type: none"> <li>40 t special excavator axles</li> </ul>	<ul style="list-style-type: none"> <li>Steering axle with automatic oscillating axle blocking</li> </ul>	<ul style="list-style-type: none"> <li>8 tyres .....10.00 - 20</li> </ul>
--	--	---

### FILL CAPACITIES

<ul style="list-style-type: none"> <li>Fuel tank ..... 389 Liter</li> <li>Cooling system ..... 42 Liter</li> </ul>	<ul style="list-style-type: none"> <li>Engine oil ..... 20 Liter</li> <li>Hydraulic tank ..... 216 Liter</li> </ul>	<ul style="list-style-type: none"> <li>Hydraulics system .....400 Liter</li> </ul>
--	---	--

### DRIVER'S CAB

<ul style="list-style-type: none"> <li>Meets latest safety standards</li> <li>Extra large entry zone</li> <li>Spacious leg room</li> <li>Excellent circumferential visibility</li> <li>Preparation for radio installation with mute function</li> </ul>	<p><b>CONTROL:</b></p> <ul style="list-style-type: none"> <li>Ergonomic joystick</li> <li>Slim steering column, height and tilt adjustable</li> <li>Indicators, controls and operating switches are clearly arranged</li> </ul>	<p><b>CLIMATE CONTROL:</b></p> <ul style="list-style-type: none"> <li>Air conditioning equipped as standard</li> <li>Very good air distribution through optimally arranged nozzles</li> </ul>
<p><b>DRIVER'S SEAT:</b></p> <ul style="list-style-type: none"> <li>Air-cushioned comfort seat (optional seat heating)</li> <li>Arm rests and lumbar support</li> <li>Seat adjustable separately from console</li> </ul>	<p><b>MONITORING</b></p> <ul style="list-style-type: none"> <li>Operating data display screen</li> <li>Automatic system for monitoring, warning and storage of data</li> </ul>	<p><b>SOUND LEVELS:</b></p> <ul style="list-style-type: none"> <li>ISO6396 (L<sub>PA</sub>) in driver's cab .....74 dB(A)</li> <li>2000/14EG (L<sub>WA</sub>) ambience level .....103 dB(A)</li> </ul>

## Working equipment

### OPERATING WEIGHTS

	<b>LOADING BOOM</b> 6.40 m (C25.5i)	<b>LOADING BOOM</b> 8.00 m (C25.6i)	<b>ADJUSTABLE BOOM</b> Base Arm 1.95 m (C25.41) Boom 4.23 (C25.46)
	Stick 5.00 m (D25.15i)	Stick 6.00 m (D25.16i)	Stick 2.65 m (D25.33)

4 outriggers	26.3 t	27.0 t	26.5 t
--------------	--------	--------	--------

Operating weight with driver, solid rubber tyres, completely filled implement and 1.0 t for attachments and 1.4 t for lift-cab (option).

### EQUIPMENT

<p><b>BASIC DEVICE Atlas 270MH</b></p> <ul style="list-style-type: none"> <li>270MH material handler with quadruple outrigger support and 2 lifting cylinders (A22.39)</li> </ul>	<p><b>Standard equipment</b></p> <p><b>Engine:</b></p> <ul style="list-style-type: none"> <li>Automatic idle</li> <li>Dieser pre-filter</li> <li>Engine monitoring</li> </ul> <p><b>Hydraulics:</b></p> <ul style="list-style-type: none"> <li>Grab and grab-rotating function</li> <li>Accumulator for emergency lowering of the arm system</li> <li>Pipe break protection valves for lifting cylinders</li> <li>Overload warning device</li> <li>Cylinder end damping</li> <li>Max. load-limit control</li> </ul>	<ul style="list-style-type: none"> <li>Slim steering column, height and tilt adjustable</li> <li>Different options for storage, compartment for documents</li> <li>Ready for electric cooling box</li> <li>Seat adjustable separately from console</li> <li>Rear view security camera with 5" LCD-colour monitor</li> <li>Heat-absorbing glass, tinted windows</li> <li>Automotive drive and cruise control</li> <li>Operating data screen display</li> <li>Bottle holder</li> </ul>
<p><b>Mono Booms:</b></p> <ul style="list-style-type: none"> <li>Loading boom 6.40 m (C25.5i)</li> <li>Loading boom 8.00 m (C25.6i)</li> </ul>		<p><b>Equipment:</b></p> <ul style="list-style-type: none"> <li>Combined lubricating points for swing bearing and arm equipment</li> </ul>
<p><b>Mono Sticks:</b></p> <ul style="list-style-type: none"> <li>Stick 5.00 m (D25.15i)</li> <li>Stick 6.00 m (D25.16i)</li> </ul>		<p><b>Undercarriage:</b></p> <ul style="list-style-type: none"> <li>Power-shift transmission</li> <li>Wet disc brakes</li> <li>Tool box in the undercarriage</li> </ul>
<p><b>Adjustable Boom:</b></p> <ul style="list-style-type: none"> <li>Base Arm 1.95 m (D25.41)</li> <li>Boom 4.23 m (C25.46)</li> <li>Stick 2.65 m (D25.33)</li> </ul>	<p><b>Cab:</b></p> <ul style="list-style-type: none"> <li>Air-conditioning</li> <li>Preparation for radio installation with mute function</li> </ul>	

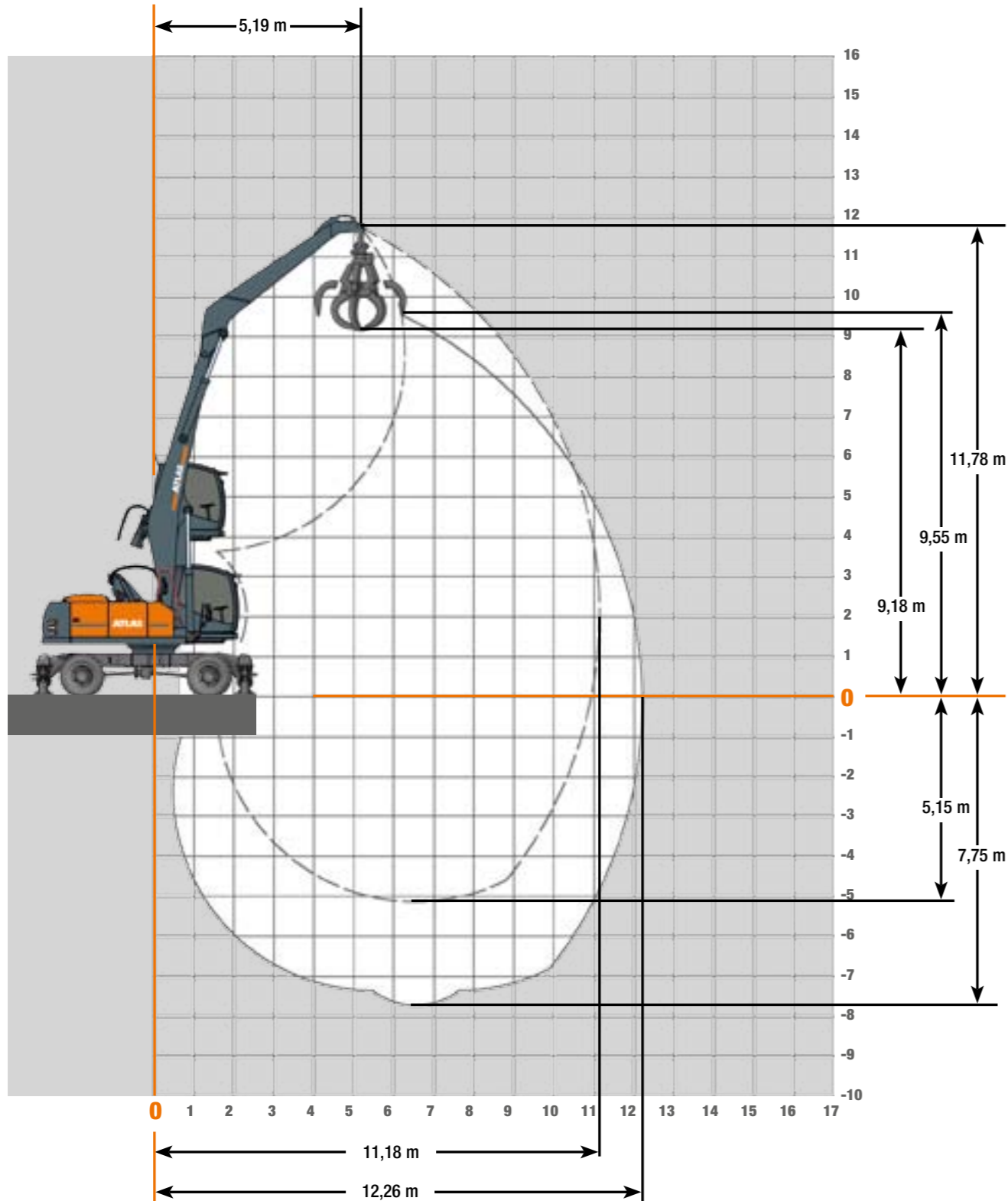
### ADDITIONAL EQUIPMENT

<p><b>Engine:</b></p> <ul style="list-style-type: none"> <li>Refueling pump</li> <li>Engine speed adjustment via potentiometer</li> <li>Auxiliary heating</li> <li>Cold start assistance</li> </ul>	<p><b>Equipment:</b></p> <ul style="list-style-type: none"> <li>Automatically controlled and monitored electric central lubrication system</li> </ul>	<ul style="list-style-type: none"> <li>Cab elevation</li> <li>Lift-Cab (elevation up to 2,5m)</li> <li>Xenon working lights</li> </ul>
<p><b>Hydraulics:</b></p> <ul style="list-style-type: none"> <li>Hydr. adaptor kit, switch supports pairwise in front and back</li> <li>Hydr. adaptor kit, switch supports individually</li> <li>Bio oil</li> </ul>	<p><b>Cab:</b></p> <ul style="list-style-type: none"> <li>Cab protection guard</li> <li>Beacon light</li> <li>Heated driver's seat</li> <li>GPS/GSM telemetric system for monitoring of operating data, consumption, position</li> <li>Radio CD/MP3, front AUX in, USB</li> <li>Thermoelectric cooling box</li> </ul>	<p><b>Undercarriage:</b></p> <ul style="list-style-type: none"> <li>Solid rubber tyres</li> </ul> <p><b>Other special equipment:</b> see price list</p>

### ATTACHMENTS

<ul style="list-style-type: none"> <li>Clamshell grab</li> <li>Orange peel grab</li> </ul>	<ul style="list-style-type: none"> <li>Load hook</li> <li>Load lifting magnet</li> </ul>	<ul style="list-style-type: none"> <li>Log grab</li> </ul>
--	--	--

## Working ranges Loading boom 6.40 m (C25.5i) and stick 5.00 m (D25.15i)



## Lifting Capacities Loading boom 6.40 m (C25.5i) and stick 5.00 m (D25.15i)

		3,0 m		4,5 m		6,0 m		7,5 m		9,0 m	
		FRONT	LATERAL	FRONT	LATERAL	FRONT	LATERAL	FRONT	LATERAL	FRONT	LATERAL
HEIGHT	Claws hi / vo raised in back										
	Claws hi / vo lowered										
12,0 m	Claws hi / vo raised in back										
	Claws hi / vo lowered										
10,5 m	Claws hi / vo raised in back			5,0*	5,0*	4,1*	4,1*				
	Claws hi / vo lowered			5,0*	5,0*	4,1*	4,1*				
9,0 m	Claws hi / vo raised in back					4,8*	4,8*	4,0*	4,0*		
	Claws hi / vo lowered					4,8*	4,8*	4,0*	4,0*		
7,5 m	Claws hi / vo raised in back					5,3*	5,3*	4,8*	4,0*	3,6*	2,9
	Claws hi / vo lowered					5,3*	5,3*	4,8*	4,8*	3,6*	3,6*
6,0 m	Claws hi / vo raised in back			5,6*	5,6*	5,9*	5,7	5,6*	3,9	4,6*	2,9
	Claws hi / vo lowered			5,6*	5,6*	5,9*	5,9*	5,6*	5,6*	4,6*	4,6*
4,5 m	Claws hi / vo raised in back			6,8*	6,8*	7,3*	5,4	6,2	3,8	4,6	2,8
	Claws hi / vo lowered			6,8*	6,8*	7,3*	7,3*	6,5*	6,5*	5,5*	5,5*
3,0 m	Claws hi / vo raised in back	17,4*	14,3	11,2*	7,7	8,5	5,0	6,0	3,6	4,5	2,7
	Claws hi / vo lowered	17,4*	17,4*	11,2*	11,2*	8,5*	8,5*	6,9*	6,9*	5,8*	5,6
1,5 m	Claws hi / vo raised in back			12,8	6,8	8,0	4,6	5,7	3,4	4,3	2,6
	Claws hi / vo lowered			12,8*	12,8*	9,2*	9,2*	7,2*	7,1	5,9*	5,4
0 m	Claws hi / vo raised in back			7,3*	6,3	7,6	4,3	5,5	3,2	4,2	2,5
	Claws hi / vo lowered			7,3*	7,3*	9,5*	9,5*	7,3*	6,9	5,9*	5,3
-1,5 m	Claws hi / vo raised in back			6,2*	6,0	7,4	4,1	5,4	3,1	4,2	2,4
	Claws hi / vo lowered			6,2*	6,2*	9,1*	9,1*	7,0*	6,8	5,5*	5,2
-3,0 m	Claws hi / vo raised in back			6,6*	6,0	7,4	4,1	5,3	3,0	4,1	2,4
	Claws hi / vo lowered			6,6*	6,6*	8,0*	8,0*	6,2*	6,2*	4,7*	4,7*
-4,5 m	Claws hi / vo raised in back			7,7*	6,1	6,1*	4,1	4,7*	3,1	3,2*	2,4
	Claws hi / vo lowered			7,7*	7,7*	6,1*	6,1*	4,7*	4,7*	3,2*	3,2*

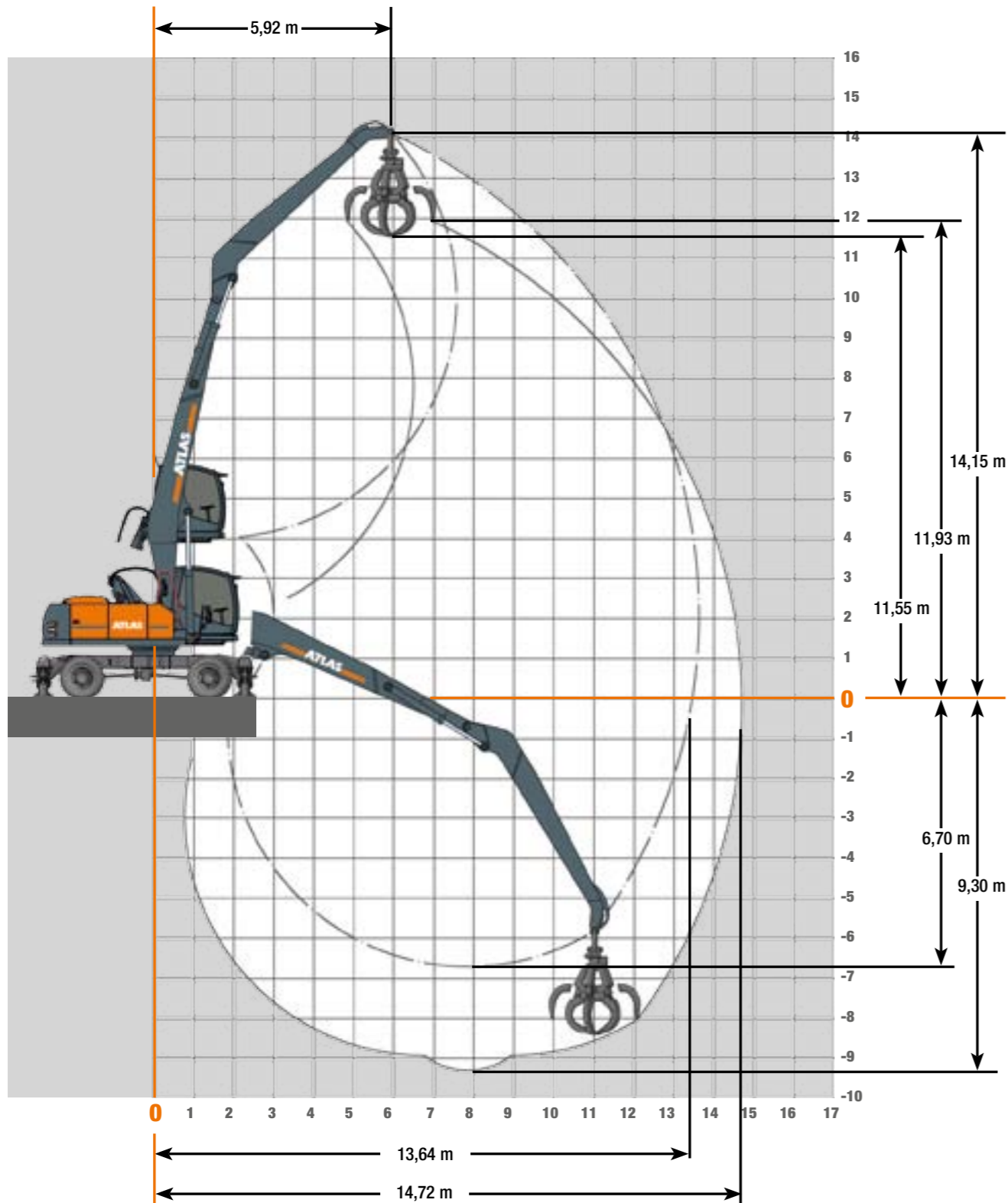
The specified max. loading capacities in tonnes include a stability of 33% or are calculated at 87% of the hydraulic lifting power, as per ISO10567. These values are applicable at the tip of the arm (without Bucket tipping cylinder, system of redirect levers) with optimum positioning of the corresponding arm system and with the pressure switched on. Weights of attached load carrying accessories (grab, magnet, load hook, etc.) are not included with the load carrying values. \* Value limited due to hydraulics.

### Attachments





## Working ranges Loading boom 8.00 m (C25.6i) and stick 6.00 m (D25.16i)



## Lifting Capacities Loading boom 8.00 m (C25.6i) and stick 6.00 m (D25.16i)

**Lifting Capacities Loading Boom 8.00 m (C25.6i) with stick 6.00 m (D25.16i). Max reach 16.36 m**

HEIGHT		3,0 m		4,5 m		6,0 m		7,5 m		9,0 m	
		FRONT	LATERAL	FRONT	LATERAL	FRONT	LATERAL	FRONT	LATERAL	FRONT	LATERAL
12,0 m	Claws hi / vo raised in back					3,1*	3,1*				
	Claws hi / vo lowered										
10,5 m	Claws hi / vo raised in back							3,0*	3,0*		
	Claws hi / vo lowered										
9,0 m	Claws hi / vo raised in back					4,0*	4,0*	3,6*	3,6*	2,8*	2,8*
	Claws hi / vo lowered					4,0*	4,0*	3,6*	3,6*	2,8*	2,8*
7,5 m	Claws hi / vo raised in back					4,2*	4,2*	4,0*	4,0*	3,5*	3,1
	Claws hi / vo lowered					4,2*	4,2*	4,0*	4,0*	3,5*	3,5*
6,0 m	Claws hi / vo raised in back							4,5*	4,2	4,0*	3,0
	Claws hi / vo lowered							4,5*	4,5*	4,0*	4,0*
4,5 m	Claws hi / vo raised in back					5,1*	5,1*	5,2*	4,0	4,7*	2,9
	Claws hi / vo lowered					5,1*	5,1*	5,2*	5,2*	4,7*	4,7*
3,0 m	Claws hi / vo raised in back	4,1*	4,1*	6,4*	6,4*	7,0*	5,3	6,2	3,7	4,6	2,8
	Claws hi / vo lowered	4,1*	4,1*	6,4*	6,4*	7,0*	7,0*	6,4*	6,4*	5,5*	5,5*
1,5 m	Claws hi / vo raised in back	12,8*	12,8*	11,7*	7,3	8,3	4,8	5,9	3,5	4,4	2,6
	Claws hi / vo lowered	12,8*	12,8*	11,7*	11,7*	8,6*	8,6*	6,9*	6,9*	5,7*	5,5
0 m	Claws hi / vo raised in back			12,3	6,4	7,8	4,4	5,6	3,2	4,2	2,4
	Claws hi / vo lowered			12,8*	12,8*	9,2*	9,2*	7,1*	7,0	5,8*	5,3
-1,5 m	Claws hi / vo raised in back			7,0*	5,9	7,4	4,0	5,3	3,0	4,1	2,3
	Claws hi / vo lowered			7,0*	7,0*	9,1*	9,1*	7,1*	6,8	5,7*	5,2
-3,0 m	Claws hi / vo raised in back			6,4*	5,7	7,2	3,9	5,2	2,9	4,0	2,3
	Claws hi / vo lowered			6,4*	6,4*	8,5*	8,5*	6,6*	6,6*	5,2*	5,1
-4,5 m	Claws hi / vo raised in back			6,8*	5,7	7,2*	3,9	5,2	2,9	4,1	2,3
	Claws hi / vo lowered			6,8*	6,8*	7,2*	7,2*	5,6*	5,6*	4,2*	4,2*

The specified max. loading capacities in tonnes include a stability of 33% or are calculated at 87% of the hydraulic lifting power, as per ISO10567. These values are applicable at the tip of the arm (without Bucket tipping cylinder, system of redirect levers) with optimum positioning of the corresponding arm system and with the pressure switched on. Weights of attached load carrying accessories (grab, magnet, load hook, etc.) are not included with the load carrying values. \* Value limited due to hydraulics.

### Attachments



## Lifting Capacities

Adjustable Boom, Base arm 1.95 m (C25.41) and boom 4.23 m (C25.46)  
+ stick 2.65 m (D25.33) Max. reach 10.33 m

### Lifting capacities Base arm 1.95 m (C25.41) and boom 4.23 m (C25.46) with stick 2.65 m (D25.33). Max reach 10.33 m

HEIGHT		3,0 m		4,5 m		6,0 m		7,5 m		9,0 m	
		FRONT	LATERAL	FRONT	LATERAL	FRONT	LATERAL	FRONT	LATERAL	FRONT	LATERAL
12,0 m	Claws hi / vo raised in back										
	Claws hi / vo lowered										
10,5 m	Claws hi / vo raised in back										
	Claws hi / vo lowered										
9,0 m	Claws hi / vo raised in back			7,7*	7,7*						
	Claws hi / vo lowered			7,7*	7,7*						
7,5 m	Claws hi / vo raised in back			6,7*	6,7*	6,7*	5,7				
	Claws hi / vo lowered			6,7*	6,7*	6,7*	6,7*				
6,0 m	Claws hi / vo raised in back			7,4*	7,4*	6,8*	5,7	6,2*	4,0		
	Claws hi / vo lowered			7,4*	7,4*	6,8*	6,8*	6,2*	6,2*		
4,5 m	Claws hi / vo raised in back			9,1*	8,2	7,3*	5,6	6,3*	4,1		
	Claws hi / vo lowered			9,1*	9,1*	7,3*	7,3*	6,3*	6,3*		
3,0 m	Claws hi / vo raised in back			10,9*	8,0*	8,0*	5,5	6,3	4,1		
	Claws hi / vo lowered			10,9*	10,9*	8,0*	8,0*	6,7*	6,7*		
1,5 m	Claws hi / vo raised in back	13,4*	13,4*	13,0*	7,9	8,6	5,5	6,3	4,0		
	Claws hi / vo lowered	13,4*	13,4*	13,0*	13,0*	9,0*	9,0*	7,2*	7,2*		
0 m	Claws hi / vo raised in back	17,4*	14,1	13,1	8,0	8,6	5,5	6,2	3,9		
	Claws hi / vo lowered	17,4*	17,4*	13,9*	13,9*	9,8*	9,8*	7,8*	7,6*		
-1,5 m	Claws hi / vo raised in back	21,8*	13,9	13,3*	7,8	8,7	5,3	6,1	3,7		
	Claws hi / vo lowered	21,8*	21,8*	14,1*	14,1*	10,2*	10,2*	8,0*	7,5		
-3,0 m	Claws hi / vo raised in back	23,2*	13,8	13,7	7,7	8,5	5,0				
	Claws hi / vo lowered	23,2*	23,2*	14,3*	14,3*	10,4*	10,4*				
-4,5 m	Claws hi / vo raised in back	22,5*	13,7	12,8*	7,4						
	Claws hi / vo lowered	22,5*	22,5*	12,8*	12,8*						

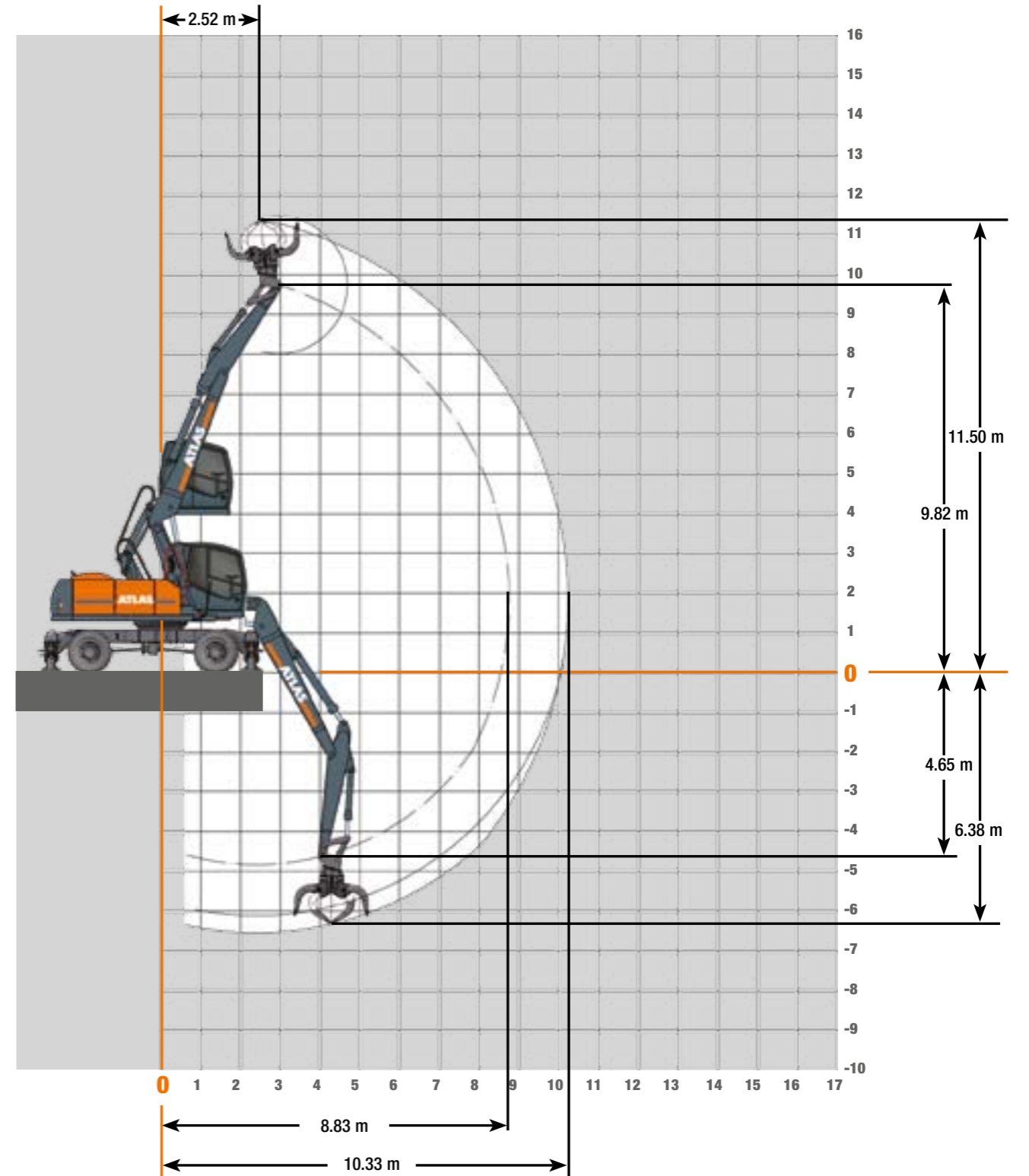
The specified max. loading capacities in tonnes include a stability of 33% or are calculated at 87% of the hydraulic lifting power, as per ISO10567. These values are applicable at the tip of the arm (without Bucket tipping cylinder, system of redirect levers) with optimum positioning of the corresponding arm system and with the pressure switched on. Weights of attached load carrying accessories (grab, magnet, load hook, etc.) are not included with the load carrying values. \* Value limited due to hydraulics.

### Attachments

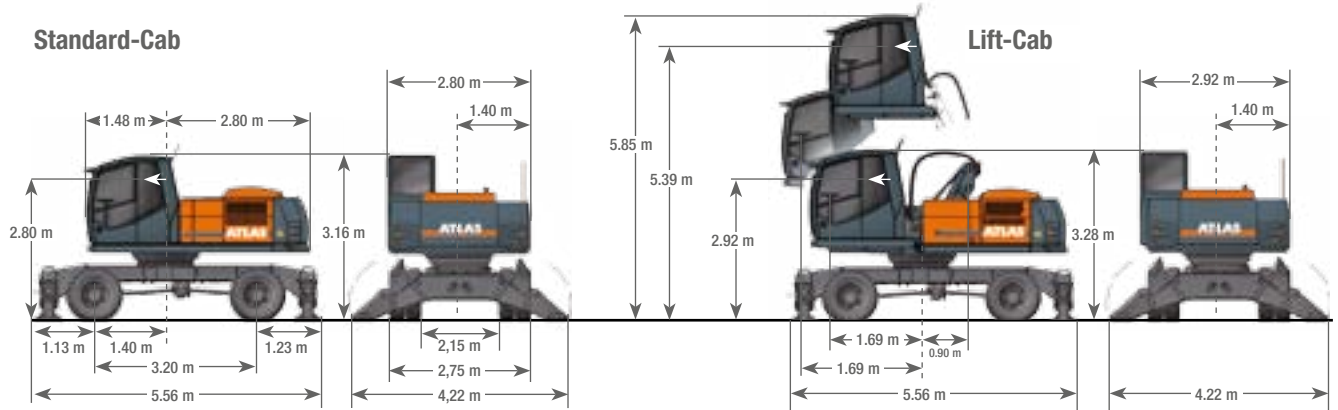


## Working ranges

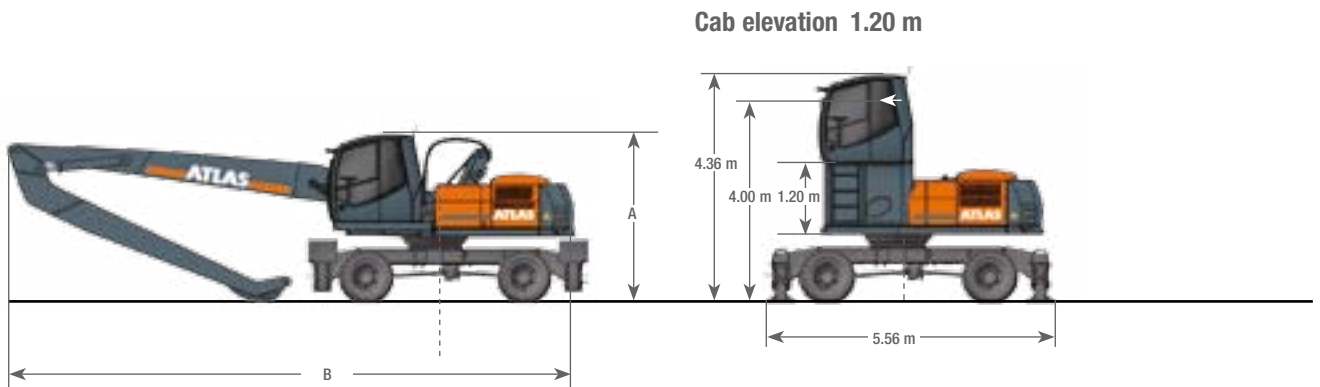
Adjustable Boom, Base arm 1.95 m (C25.41) and boom 4.23 m (C25.46)  
+ stick 2.65 m (D25.33)



## Dimensions



(A) TRANSPORT HEIGHT	(B) TRANSPORT LENGTH
Loading boom 6.40 m with stick 5.00 m ..... 3.29 m	Loading boom 6.40 m with stick 5.00 m ..... 9.94 m
Loading boom 8.00 m with stick 6.00 m ..... 3.29 m	Loading boom 8.00 m with stick 6.00 m ..... 9.94 m
Adjustable Boom 1.95 m   4.23 m with stick 2.65 m ..... 3.29 m	Adjustable Boom 1.95 m   4.23 m with stick 2.65 m ..... 11.56 m



Further variations of cabs on request

[www.atlasgmbh.com](http://www.atlasgmbh.com)

**ATLAS Maschinen GmbH**  
 EXCAVATORS  
 Atlasstrasse 6  
 27777 Ganderkesee, Germany  
 T: +49 (0) 4222 954 0  
 F: +49 (0) 4222 954 343  
 info@atlasgmbh.com

270MH-EN (1) Effective date: August 2010. Product specifications and prices are subject to change without notice or obligation. The photographs and/or drawings in this document are for illustrative purposes only. Refer to the appropriate Operator's Manual for instructions on the proper use of this equipment. Failure to follow the appropriate Operator's Manual when using our equipment or to otherwise act irresponsibly may result in serious injury or death. The only warranty applicable to our equipment is the standard written warranty applicable to the particular product and sale and Atlas makes no other warranty, express or implied. The only warranty applicable to our equipment is the standard written warranty applicable to the particular product and sale and Atlas makes no other warranty, express or implied. Products and services listed may be trademarks, service marks or trade-names of Atlas Maschinen GmbH and/or its subsidiaries. All rights are reserved. Atlas® is a registered trademark of Atlas Maschinen GmbH. Copyright © 2010 Atlas Maschinen GmbH.